

FLUXX®-Shaker Cans

FLUXX®-Shaker Cans and Inserts are made of Polypropylene (PP). The cover caps are available in various colours.

The inserts are available with different hole patterns which can easily be adapted to customers preferences.

Due to the stuck on sealing on the inserts FLUXX®-Shaker Cans are tamper-proof. The sealing can be chosen with different printings according to customer needs.

Alternatively FLUXX®-Shaker Cans can be equipped with snap cover which provides two different hole patterns.

All components used for production of FLUXX®-Shaker Cans are, of course, compliant with food regulations.

Labelling

FLUXX®-Shaker Cans are suitable for labelling or printing. Layout dimension approx. 92 x 132 mm.

Declaration of Conformity

All components used in the production process are uncritically in regards to Commission Directive 2002/72/EC, the Commission Regulation (EU) No 10/2011, the Regulation (EC) No 1935/2004 and the German „Lebensmittel- und Futtermittel Gesetzbuch (LFBG)“.



Example

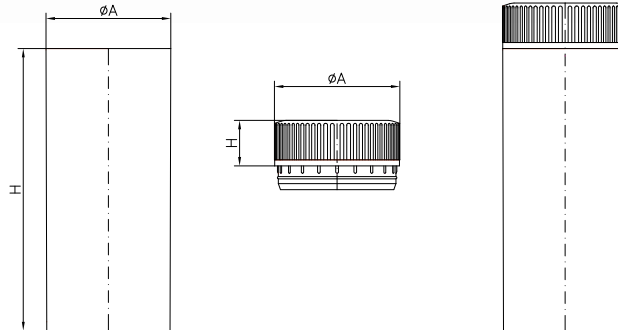


Benefits

- **Fast**, clean and easy dispensing
- **Different** hole patterns available
- **Suitable** for individual labelling or printing
- **Appropriate** for approx. 100 ml or 90 g of content
- **Compliant** with food regulations

Applications

- Packaging and dispensing of pourable foods



Description	Illustration	Item Number	Pack Quantity	Dimensions
Shaker Can		76 101	1 Euro pallet = 8.160 pcs. (60 boxes)	Ø A 42 mm H 95 mm
Insert 6 x 6 mm		175 401	1 Euro pallet = 30.000 pcs. (20 boxes)	Ø A 42 mm H 15,3 mm
Insert 31 x 3 mm		175 402	1 Euro pallet = 30.000 pcs. (20 boxes)	

Material

Polypropylen

Colours

Shaker Cans:

white

Inserts:

white

Cover Caps:

white, red, blue, green, yellow,
orange, violet
(other colours on request)

Chemical Resistance

(PP)



acids, bases, inorganic salts, alcohols, amines



ester, ketones, aldehydes, aromatic compounds, fuels, fats,
oils, ether, paraffin hydrocarbons



oxidising compounds, halogens, halogen alkane



= resistant



= limited resistance



= non-resistant

Please contact us for additional details

Please note

We can not guarantee comprehensive chemical resistance of specific applications. We recommend testing of actual application prior to use.

Please contact our technical service for any further questions.

SABEU GmbH & Co. KG

ALTENLOH, BRINCK & CO - GROUP

Hirschberger Straße 1 • 37154 Northeim • Germany
Tel.: +49 (0) 5551 9778-0 • Fax: +49 (0) 5551 9778-12
info@sabeu.com • www.sabeu.com