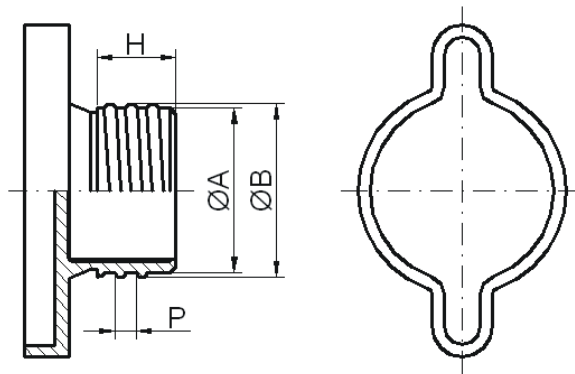




## Diffusion-tight stoppers

Plastic stoppers with aluminium cup and sealing ring

### Design



Description	Illustration	ØA	ØB	P	H
Diffusion-tight stopper		27,0 mm DIN 16901	28,5 mm +0,25 mm	3,5 mm	14,8 mm
Diffusion-tight stopper KNK		27,0 mm DIN 16901	28,5 mm +0,25 mm	3,5 mm	13 mm
Diffusion-tight stopper KN		27,0 mm DIN 16901	28,5 mm +0,25 mm	3,5 mm	18 mm
Diffusion-tight stopper Rd 48		45,8 mm ±0,2 mm	48,2 mm ±0,2 mm	4 mm	15,5 mm

### Material

Synthetic material: PP or POM  
Metal: aluminium  
Sealing: rubber

### Colours

Yellow, black, red, blue, green, white, natural  
Other colours on request

### Chemical Resistance

Suitable for water, acids, bases, saline solutions, alcohols, ester, fats and oils.  
Not resistant against strong oxidising agents and halogens.

A legally binding warranty for specific features or fitness for a certain application cannot be derived from the information given above. Existing rules and regulations are to be observed at the responsibility of the user..